

NEMA 4 and 12 Single-Door Wall Mount



Application

Designed to house and protect electrical and electronic components from harsh, dirty environments. For use in installations where dust, dirt, oil, water or other contaminants are present. Streamlined styling, flush latching, and attractive, durable finish complement any high-tech electronic equipment.

Construction

- Fabricated from 14 gauge steel
- Plasma welded seams
- Door and body stiffeners are provided in larger enclosures for extra rigidity
- Print pocket is provided
- Closed cell polyurethane poured in place gasket
- Collar studs provided for mounting optional subpanels
- Grounding provisions provided
- Concealed hinges
- Increased tub openings to accommodate larger size (optional) subpanels

- Optional subpanels must be ordered separately
- Doors are interchangeable and easily removable (open to 90° to remove door)
- 1/4 turn semi-flush oil tight latches are supplied to hold door securely closed
- Mounting holes in rear of enclosure body
- Optional mounting foot kit is available (required to maintain the NEMA Types 4, 12 and 13 ratings)

Finish

- ANSI-61 gray polyester powder inside and outside over phosphatized surfaces
- Optional subpanels are white polyester powder over phosphatized surfaces

Listings

- UL 508, Types 4, 12 and 13 (UL file E64791)
- CSA Certified, Types 4, 12 and 13 (CSA file LL66078)
- Meets NEMA/EEMAC Types 4, 12 and 13 requirements
- JIC EL-1-71



Enclosure Shipping Schedule		
Same day	1 - 7 days	1 -10 days
Color indicates shipping lead time in business days.		

Part Number	Price	Box/Door Gauge	Enclosure Size HxWxD	Subpanel Part Number	Price	Subpanel Size AxB	C	E	Door Stiffener
N412121206C	<-->	14/14	12x12x6 (305x305x152)	NP1212C	<-->	10.2x10.2 (259x259)	6 (152)	-	No
N412161206C	<-->	14/14	16x12x6 (406x305x152)	NP1612C	<-->	14.2x10.2 (361x259)	8 (203)	-	No
N412161208C	<-->	14/14	16x12x8 (406x305x203)	NP1612C	<-->	14.2x10.2 (361x259)	8 (203)	-	No
N412161606C	<-->	14/14	16x16x6 (406x406x152)	NP1616C	<-->	14.2x14.2 (361x361)	8 (203)	-	No
N412161608C	<-->	14/14	16x16x8 (406x406x203)	NP1616C	<-->	14.2x14.2 (361x361)	8 (203)	-	No
N412162006C	<-->	14/14	16x20x6 (406x508x152)	NP2016C	<-->	14.2x18.2 (361x462)	8 (203)	-	No
N412162008C	<-->	14/14	16x20x8 (406x508x203)	NP2016C	<-->	14.2x18.2 (361x462)	8 (203)	-	No
N412201606C	<-->	14/14	20x16x6 (508x406x152)	NP2016C	<-->	18.2x14.2 (462x361)	10 (254)	-	No
N412201608C	<-->	14/14	20x16x8 (508x406x203)	NP2016C	<-->	18.2x14.2 (462x361)	10 (254)	-	No
N412202006C	<-->	14/14	20x20x6 (508x508x152)	NP2020C	<-->	18.2x18.2 (462x462)	10 (254)	-	No
N412202008C	<-->	14/14	20x20x8 (508x508x203)	NP2020C	<-->	18.2x18.2 (462x462)	10 (254)	-	No
N412202012C	<-->	14/14	20x20x12 (508x508x305)	NP2020C	<-->	18.2x18.2 (462x462)	10 (254)	-	No
N412202408C	<-->	14/14	20x24x8 (508x610x203)	NP2420C	<-->	18.2x22.2 (462x564)	10 (254)	-	No
N412241606C	<-->	14/14	24x16x6 (610x406x152)	NP2416C	<-->	22.2x14.2 (564x361)	12 (305)	-	No

Note: Subpanels must be ordered separately. Dimensions in inches (millimeters); letters in table correspond to letters on dimensional drawings.

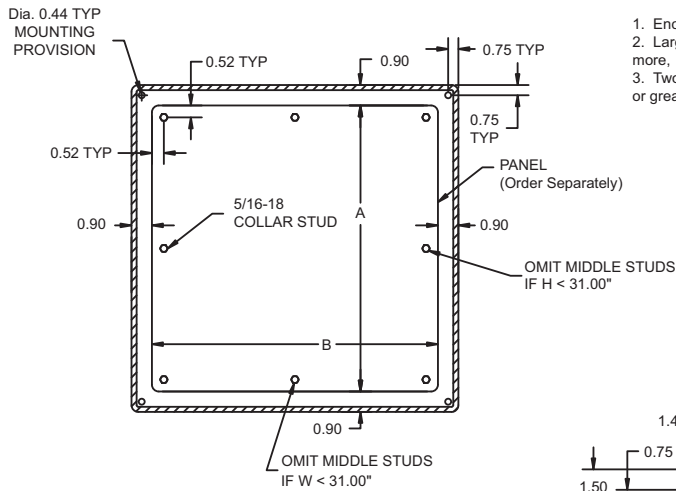
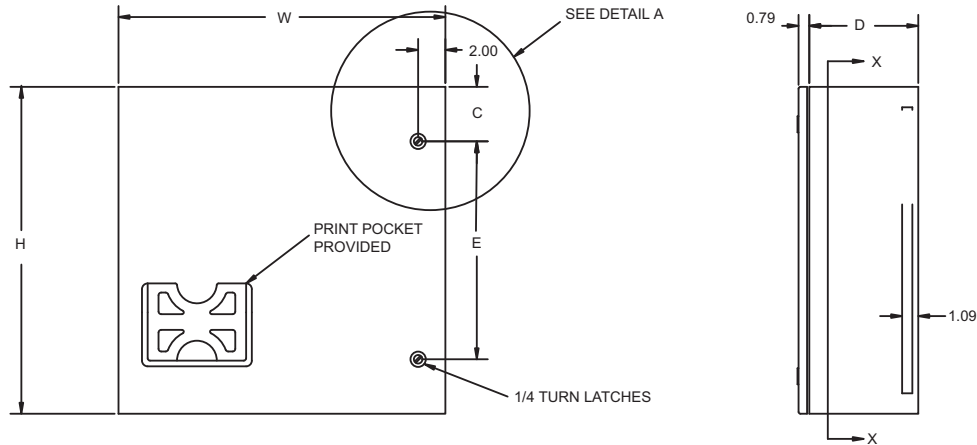
NEMA 4 and 12 Single-Door Wall Mount

Part Number	Price	Box/Door Gauge	Enclosure Size HxWxD	Subpanel Part Number	Price	Subpanel Size AxB*	C	E	Door Stiffener
N412242006C	<--->	14/14	24x20x6 (610x508x152)	NP2420C	<--->	22.2x18.2 (564x462)	12 (305)	-	No
N412242008C	<--->	14/14	24x20x8 (610x508x203)	NP2420C	<--->	22.2x18.2 (564x462)	12 (305)	-	No
N412242012C	<--->	14/14	24x20x12 (610x508x305)	NP2420C	<--->	22.2x18.2 (564x462)	12 (305)	-	No
N412242406C	<--->	14/14	24x24x6 (610x610x152)	NP2424C	<--->	22.2x22.2 (564x564)	4 (102)	16 (406)	No
N412242408C	<--->	14/14	24x24x8 (610x610x203)	NP2424C	<--->	22.2x22.2 (564x564)	4 (102)	16 (406)	No
N412242412C	<--->	14/14	24x24x12 (610x610x305)	NP2424C	<--->	22.2x22.2 (564x564)	4 (102)	16 (406)	No
N412242416C	<--->	14/14	24x24x16 (610x610x406)	NP2424C	<--->	22.2x22.2 (564x564)	4 (102)	16 (406)	No
N412242420C	<--->	14/14	24x24x20 (610x610x508)	NP2424C	<--->	22.2x22.2 (564x564)	4 (102)	16 (406)	No
N412243008C	<--->	14/14	24x30x8 (610x762x203)	NP3024C	<--->	22.2x28.2 (564x716)	4 (102)	16 (406)	No
N412302008C	<--->	14/14	30x20x8 (762x508x203)	NP3020C	<--->	28.2x18.2 (716x462)	4 (102)	22 (559)	No
N412302408C	<--->	14/14	30x24x8 (762x610x203)	NP3024C	<--->	28.2x22.2 (716x564)	4 (102)	22 (559)	No
N412302412C	<--->	14/14	30x24x12 (762x610x305)	NP3024C	<--->	28.2x22.2 (716x564)	4 (102)	22 (559)	No
N412302420C	<--->	14/14	30x24x20 (762x610x508)	NP3024C	<--->	28.2x22.2 (716x564)	4 (102)	22 (559)	No
N412303008C	<--->	14/14	30x30x8 (762x762x203)	NP3030C	<--->	28.2x28.2 (716x716)	4 (102)	22 (559)	No
N412303012C	<--->	14/14	30x30x12 (762x762x305)	NP3030C	<--->	28.2x28.2 (716x716)	4 (102)	22 (559)	No
N412362408C	<--->	14/14	36x24x8 (914x610x203)	NP3624C	<--->	34.2x22.2 (869x564)	4 (102)	28 (711)	No
N412362412C	<--->	14/14	36x24x12 (914x610x305)	NP3624C	<--->	34.2x22.2 (869x564)	4 (102)	28 (711)	No
N412363008C	<--->	14/14	36x30x8 (914x762x203)	NP3630C	<--->	34.2x28.2 (869x716)	4 (102)	28 (711)	No
N412363012C	<--->	14/14	36x30x12 (914x762x305)	NP3630C	<--->	34.2x28.2 (869x716)	4 (102)	28 (711)	No
N412363016C	<--->	14/14	36x30x16 (914x762x406)	NP3630C	<--->	34.2x28.2 (869x716)	4 (102)	28 (711)	No
N412363020C	<--->	14/14	36x30x20 (914x762x508)	NP3630C	<--->	34.2x28.2 (869x716)	4 (102)	28 (711)	No
N412363608C	<--->	14/14	36x36x8 (914x914x203)	NP3636C	<--->	34.2x34.2 (869x869)	4 (102)	28 (711)	No
N412363612C	<--->	14/14	36x36x12 (914x914x305)	NP3636C	<--->	34.2x34.2 (869x869)	4 (102)	28 (711)	No
N412402412C	<--->	14/14	40x24x12 (1016x610x305)	NP4024C	<--->	38.2x22.2 (970x564)	20 (508)	-	No
N412423612C	<--->	14/14	42x36x12 (1067x914x305)	NP4236C	<--->	40.2x34.2 (1021x869)	21 (533)	-	No
N412482412C	<--->	14/14	48x24x12 (1219x610x305)	NP4824C	<--->	46.2x22.2 (1173x564)	24 (610)	-	No
N412483612C	<--->	14/14	48x36x12 (1219x914x305)	NP4836C	<--->	46.2x34.2 (1173x869)	24 (610)	-	No
N412483616C	<--->	14/14	48x36x16 (1219x914x406)	NP4836C	<--->	46.2x34.2 (1173x869)	24 (610)	-	No
N412603612C	<--->	14/14	60x36x12 (1524x914x305)	NP6036C	<--->	58.2x34.2 (1478x869)	30 (762)	-	No

Note: Subpanels must be ordered separately. Dimensions in inches (millimeters); letters in table correspond to letters on dimensional drawings.

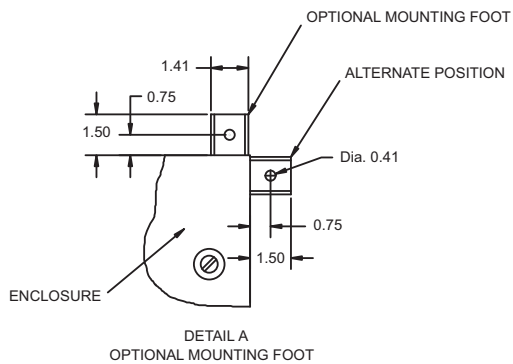
NEMA 4 and 12 Single-Door Wall Mount

Dimensions



Notes:

1. Enclosures include a 3-point latch when H = 40.00" or more.
2. Large Print Pocket (8 X 10) is furnished if H = 20.00" or more and W = 20.00" or more, otherwise small (6 X 6) print pocket is provided.
3. Two Hinges provided when H < 36.00". Three Hinges provided when H = 36.00" or greater. Four Hinges provided when H = 48.00" or greater.



PLC Overview

DL05/06 PLC

DL105 PLC

DL205 PLC

DL305 PLC

DL405 PLC

Field I/O

Software

C-more HMIs

Other HMI

AC Drives

Motors

Steppers/Servos

Motor Controls

Proximity Sensors

Photo Sensors

Limit Switches

Encoders

Current Sensors

Pushbuttons/Lights

Process

Relays/Timers

Comm.

TB's & Wiring

Power

Circuit Protection

Enclosures

Appendix

Part Index